

# Omnia Evolution

Designed by Giovanni Baccolini

- 010** – Anti-Panic Writing Surface  
(Center-to-Center 21.65" (550 mm))
- 015** – Fixed Writing Surface  
(Center-to-Center 21.65" (550 mm))
- 020** – Standard Chair  
(Center-to-Center 21.65" (550 mm))
- 025** – Standard Chair  
(Center-to-Center 21.65" (550 mm))
- 030** – Standard Chair  
(Center-to-Center 21.65" (550 mm))

## Features

Its versatile design allows for installation on a radius, risers or inclined floor, while still sharing a center leg and be available on a beam.

Seat and back are made of 0.4" (10 mm) contoured shaped beech-plywood in alpine beech, anthracite laminate or fully upholstered.

The legs are made of 2.5 mm thick elliptical tubular steel in a Gray powder coat finish.

The Flip-Up seat is mounted on brass bushings and automatically returns.

The upholstered version has 0.8" (20 mm) upholstered foam.

The seat supports are made of stamped 4 mm thick steel, and back supports are reinforced nylon.

Anti-Panic tables are in laminate with a scratch-resistant finish and ABS edges with a table surface of 0.79" (20 mm), a width of 18.75" (477 mm), and a depth of 15.75" (400 mm).

All metal parts are epoxy powder-coated Black.

Design modification for stepped floors.

Wire management channel.

## Options

Seat and back in Class 1 fire-rated beech wood both mid back and high back.

Larger center-to-center width of 23.5" (600 mm).

Laminate tables, seat and back come standard in Gray laminate, White, Black, and Natural Beech are available.

Seat and back fully upholstered both mid back and high back.

Foam for slim upholstered version is 0.5" (13 mm).

Foam for comfort seat version is 2" (50 mm).

Modesty panel in Gray powder coated perforated steel plate.

Modesty panel for curve in Gray powder coated perforated steel plate.

Acoustical modesty panel in Gray.

Vertical wire book basket.

Larger Anti-Panic table depths of 13.75" (350 mm), and 15.75" (400 mm) (minimum order of one hundred).

Custom laminate color (minimum order of two hundred).

Custom wood stain (minimum order of two hundred).

Custom powder coated color steel frame (minimum order of two hundred).

Omnia Evolution

## 010

Anti-Panic Writing Surface (Center-to-Center 21.75" (550 mm))

Writing surface is in Gray colored post-formed laminate. Gray powder coated tubular steel legs.

Product Pricing Available Upon Request

Omnia Evolution

## 015

Fixed Writing Surface (Center-to-Center 21.75" (550 mm))

Writing surface is in Gray colored post-formed laminate. Gray powder coated tubular steel legs.

Product Pricing Available Upon Request

Omnia Evolution

## 020

Standard Chair (Center-to-Center 21.75" (550 mm))

Back and flip-up seat, upholstered or in anthracite laminate or beech plywood.

Anti-panic writing tables in Gray colored post-formed laminate. Gray powder coated tubular steel legs.

Product Pricing Available Upon Request

Omnia Evolution

## 025

Standard Chair (Center-to-Center 21.75" (550 mm))

Back and flip-up seat, upholstered or in anthracite laminate or beech plywood. Fixed writing table is in Gray colored post-formed laminate. Gray powder coated tubular steel legs.

Product Pricing Available Upon Request

Omnia Evolution

## 030

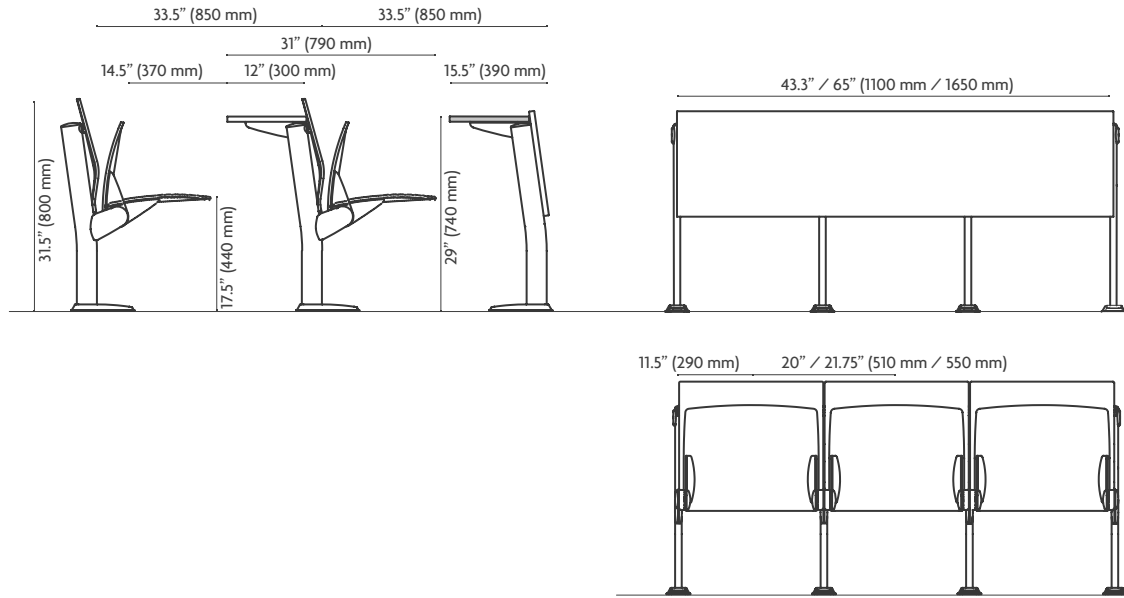
Standard Chair (Center-to-Center 21.75" (550 mm))

Back and flip-up seat, upholstered, anthracite laminate or in beech plywood.

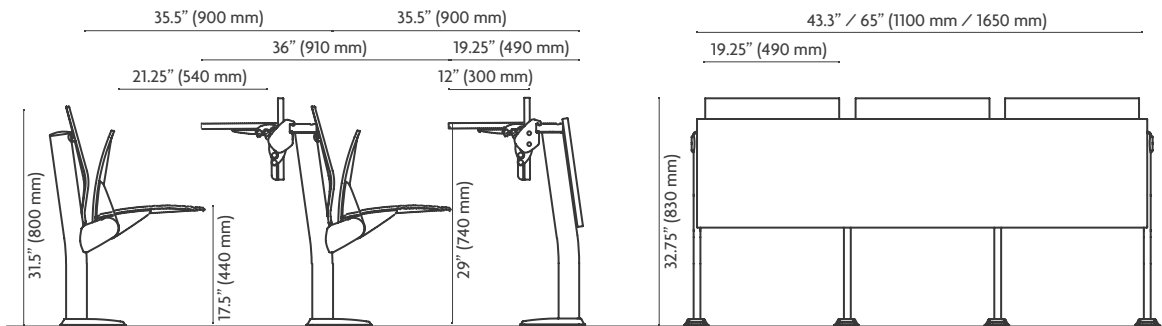
Product Pricing Available Upon Request

# Omnia Evolution

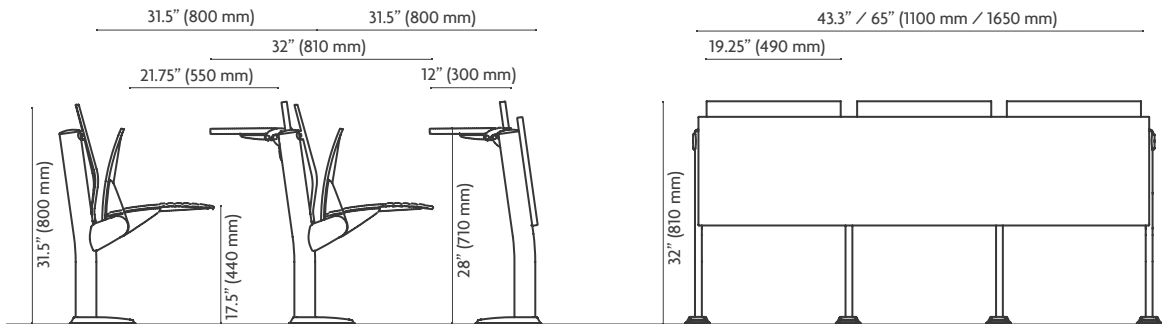
## FIXED WRITING SURFACE



## ANTI-PANIC WRITING SURFACE ON CURVE



## ANTI-PANIC WRITING SURFACE



## SOLUTIONS ON STEPPED FLOOR

